



series
750-1
2-Stage Servovalve
Rated flows up to 125 l/m



Features

- Maximum operating pressure 210 bar
- Slim body design
- 34,9 mm P.C.D. mounting pattern
- Internal pilot supply (4 ports)
- Suitable for 3-way or 4-way applications
- Very low hysteresis & zero point drift
- High spool drive forces
- Spool in bushing design
- Dry torque motor with mechanical feedback
- Long life Sapphire Technology



HYDRAUSTAR
ZA des Garennes
F41100 St FIRMIN des PRES

www.hydraustar.com

ST-750-2021.1-Fr

Benefits and Features

Sapphire ball in slot design

- Incorporated into Star designs since 1988
- Many billions of cycles per service life
- Increased spool life due to spool rotation
- Ultra low coefficient of friction sapphire to steel
- Feedback mechanism unhindered by spool rotation
- Extended warranties available



Safety

- Flame proof
- Intrinsic safety
- Class, Div & Zone coverage
- Mechanical failsafe
- Double & triple coil redundancy

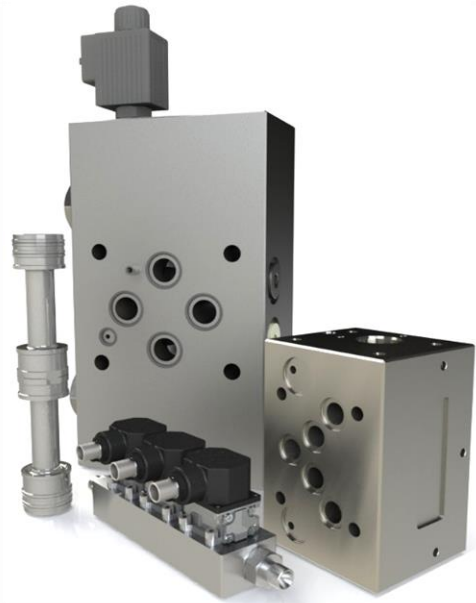
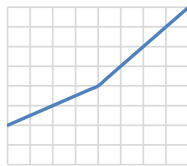
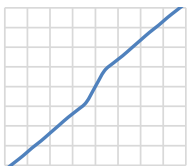
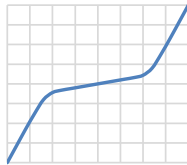
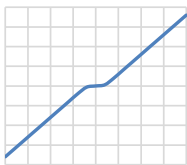
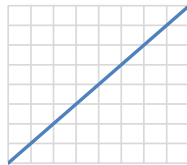


Quality

- Independent audit process is our commitment on quality
- Focus on customer needs and expectations
- Delivery schedules on time
- Continual improvements on products and services
- Maintaining design and manufacturing integrity

Custom spool lap & bushing port geometries

- Zero overlap
- Overlap (closed center)
- underlap (open center)
- Dual gain
- Asymmetric gain



Special projects

- Compact servo designs
- Special interfaces
- Modular components



Sealing materials

- Nitrile
- Fluorocarbon (Viton)
- Ethylene-Propylene
- Fluorosilicone

Sapphire flow

- Ensuring first stage stability
- Precisely matched flow properties
- Long life in extreme environments



Special connectors

- MIL-C-5015
- MIL-DTL-38999
- Conduit style male/female
- Hermetic

Technical data

Hydraulic

Nominal flow ratings [$\pm 10\%$]	at 70 bar Δp	95, 125 l/m
Operating pressure (max)	Ports	P, C1, C2, R
Seal material	NBR, FPM	210 bar
Fluid viscosity range (recommended)		10 to 100 mm ² /s (cSt)
Fluid type		Mineral oil to ISO 11158, DIN 51524 or equivalent MIL-H-5606 Kerosene Water glycols others on request
Filter rating (recommended)	Pressure line Off-line	Beta 10 = 200 (10 μm abs), non by-pass & indicator Beta 2 = 1000 (2 μm abs)
Fluid cleanliness	ISO 4406: 1999 minimum recommended	16/ 14/ 11 15/ 13/ 10

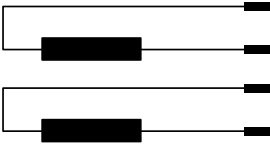
Operational parameters

Hysteresis		$\leq 4.0\%$
Threshold		$\leq 1.5\%$
Null shift	$\Delta T 40^\circ\text{C}$	$\leq 2.0\%$
Internal leakage	140 bar supply (1% overlap)	≤ 2.5 l/m
Load pressure difference	1% input	$\geq 30\%$ of supply pressure can be as high as 100%
Response time	0-100% rated spool stroke	40 ms
Mounting pattern		Special
Mounting position		Any, fixed or movable (1)
Weight	std unit	1.4 kg
Design protection	EN 60529	IP 65
Shipping protection		Sealed base plate
Vibration		30 g all axis, 5 Hz to 2,000 Hz
Shock		30 g all axis
Seal material options		NBR, FPM
Temperature range		-30 to 135 $^\circ\text{C}$

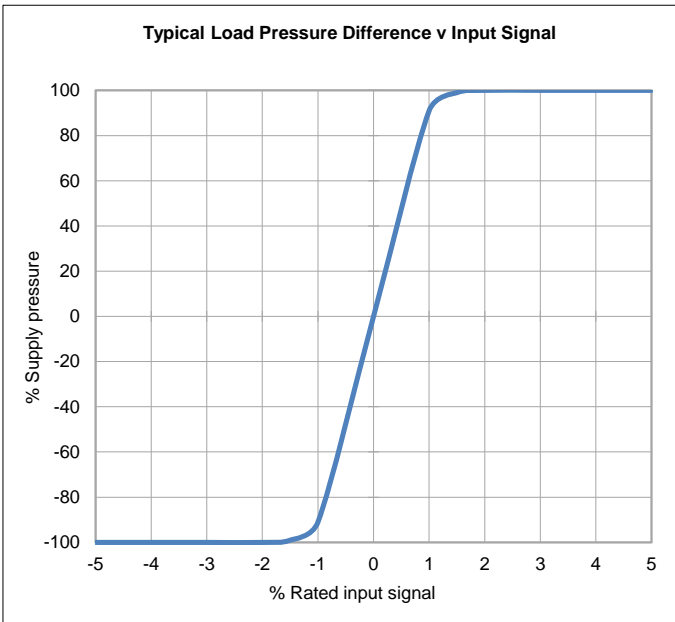
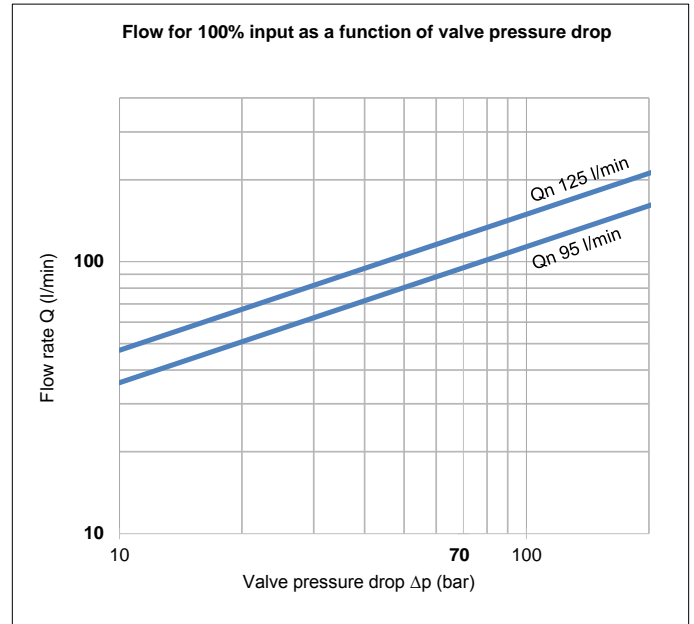
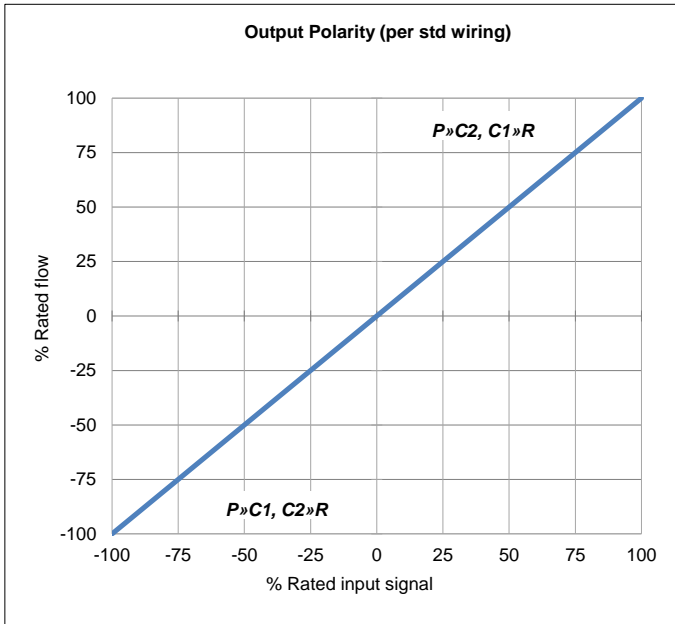
(1) Depending on valve orientation the main stage spool may drop when supply pressure is switched off leading to unwated startup bump.

Technical data

Electrical

Rated input \pm (mA)	single (differential)	8	30	40	100	200	
Other coil rates available	series	4	15	20	50	100	
	parallel	8	30	40	100	200	
Coil resistance (Ω)	per coil	1000	300	80	28	22	
Power (W)	single	0.064	0.27	0.128	0.280	0.88	
	series	0.032	0.135	0.064	0.140	0.440	
	parallel	0.032	0.135	0.064	0.140	0.440	
Connector pin out identification		A	B	C	D		
Polarity P»C2, C1»R	single	A +, B - or C +, D -					
	series	A +, D -, B & C linked					
	parallel	A & C linked +, B & D linked					
Valve connector type	MIL-C-5015	MS3102E-14S-2P mates with MS3106F-14S-2S					
		Consult factory for more options					
Standard connector orientation	C1 or C2 port						
		please advise when ordering					

Technical data



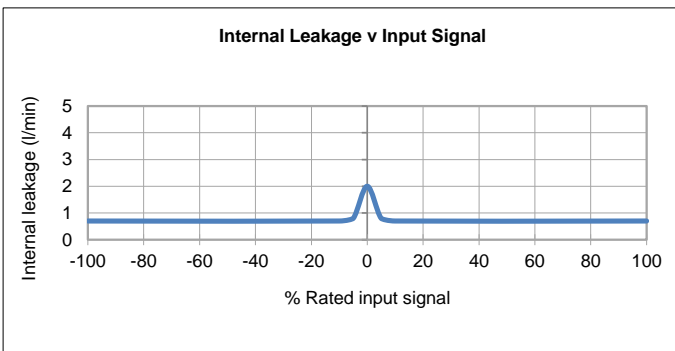
The flow tolerance for standard servovalves is $\pm 10\%$ of the rated flow at 100% rated input signal.

Rated Signal [In] is the specified input voltage or current of either polarity to produce rated flow. Rated input does not include null bias values.

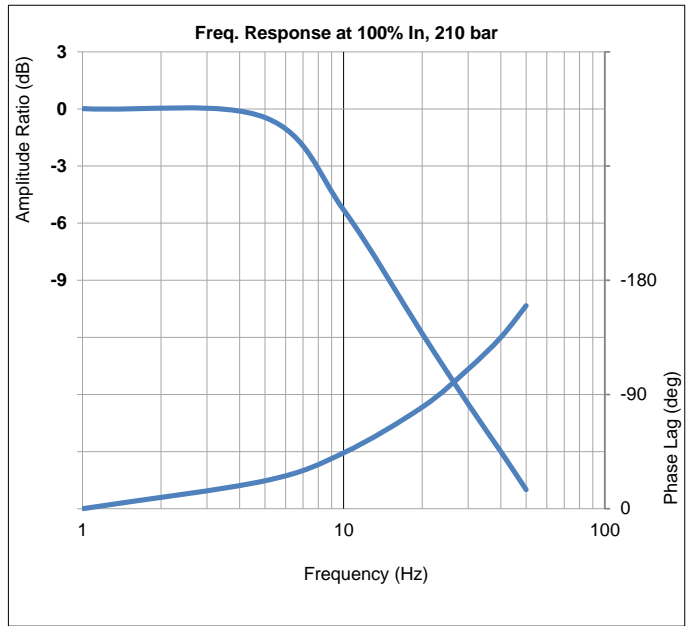
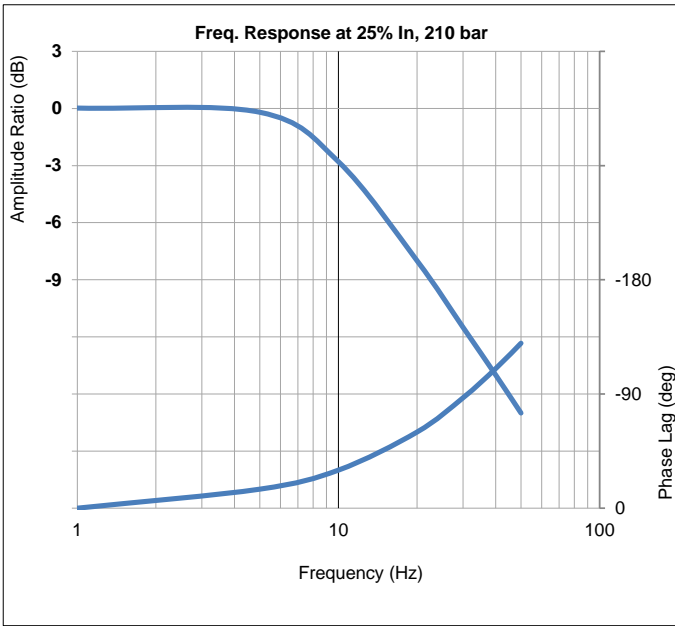
Rated flow corresponds to the flow at rated input at 10 bar or 70 bar, with no load, therefore in 4-way valves there will be a pressure drop of 5 bar or 35 bar respectively across each land.

Load pressure difference versus input signal indicates typical differential pressure gain between ports C1 (A) and C2 (B) for standard lap spools. Negative and positive overlap change this characteristic significantly.

Internal leakage comprises of tare first stage and laminar leakage between spool and sleeve. With critical lap conditions in 4-way designs the leakage peaks through the null region.

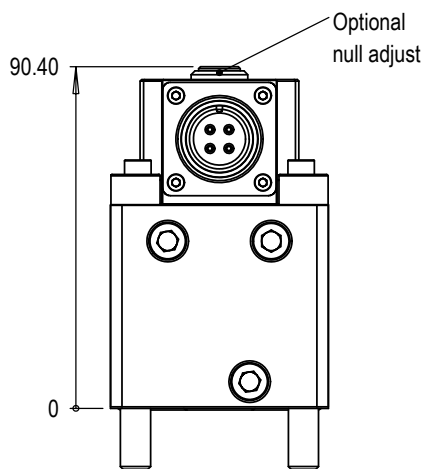
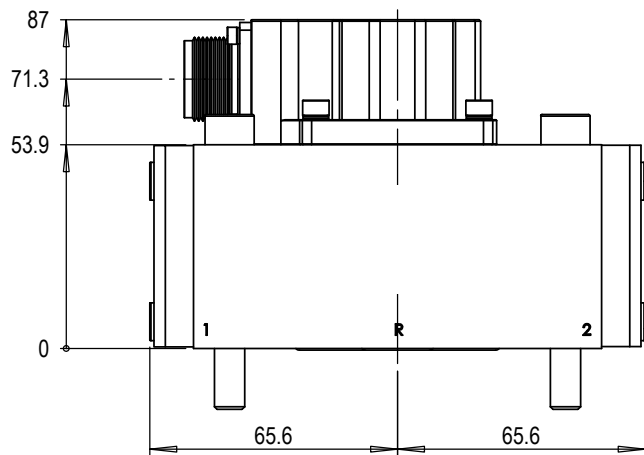
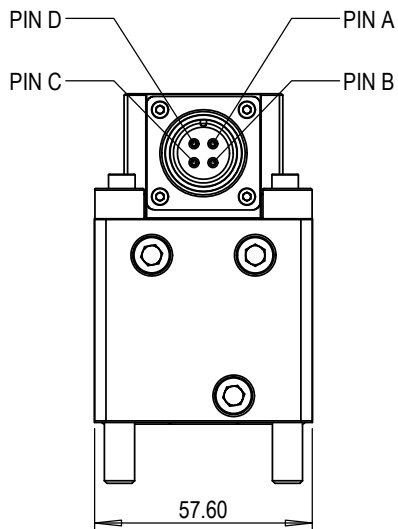
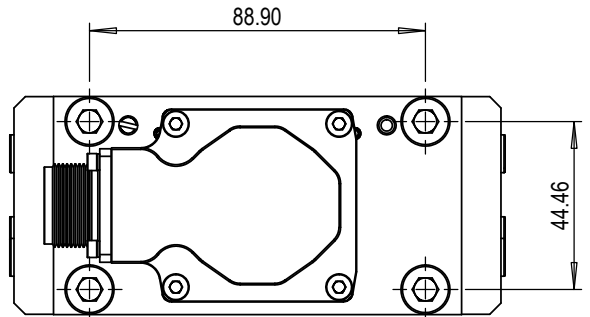
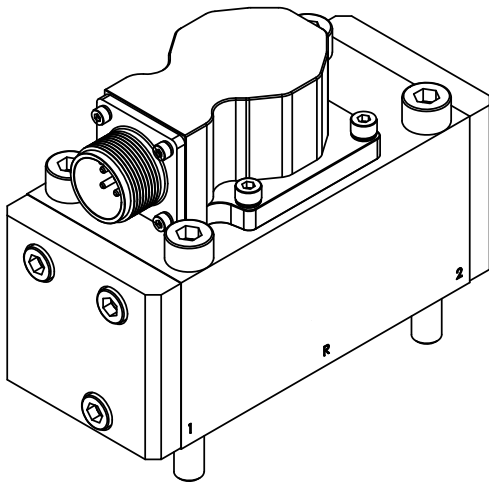


Technical data



750 series INSTALLATION DETAILS

Mounting screws	Skt head cap screws M8 x 75 10.9 ISO 4762
Porting details	P, C1, C2, R ports $\varnothing 12.7$, $\sqsupset \varnothing 19.1$ $\nabla 1.95$ on 34.9 P.C.D.
Interface seals	Ports P, C1, C2, R - ID 14.6 x $\varnothing 2.4$ O-Ring



Mounting interface (special)									
	P	C1	C2	R	F1	F2	F3	F4	X
size	$\varnothing 12.5$	$\varnothing 12.5$	$\varnothing 12.5$	$\varnothing 12.5$	M8	M8	M8	M8	$\varnothing 4 \nabla 5$
x	44.45	26.97	61.93	44.45	0	88.90	88.90	0	64.29
y	4.75	22.23	22.23	39.71	0	0	44.45	44.45	0
Surface flat within 0.01 / 100 : finish better than 0.8 μm									

